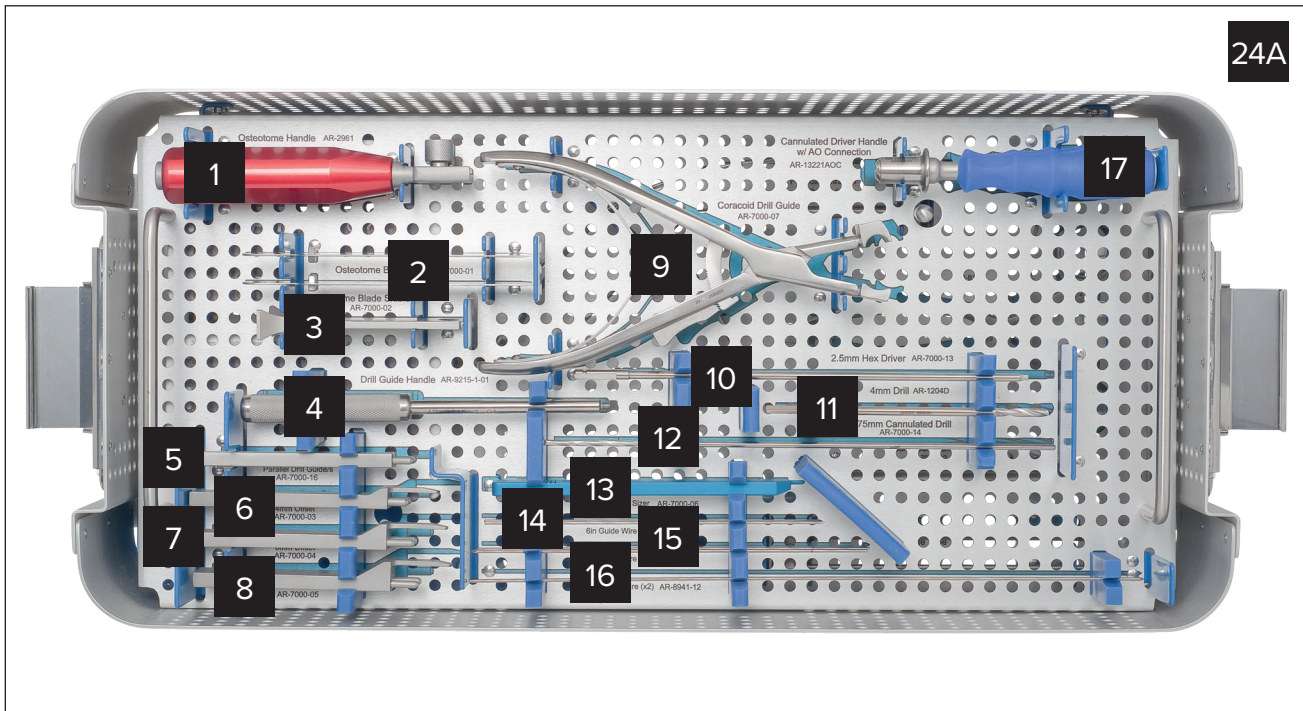


# Glenoid Bone Loss Set

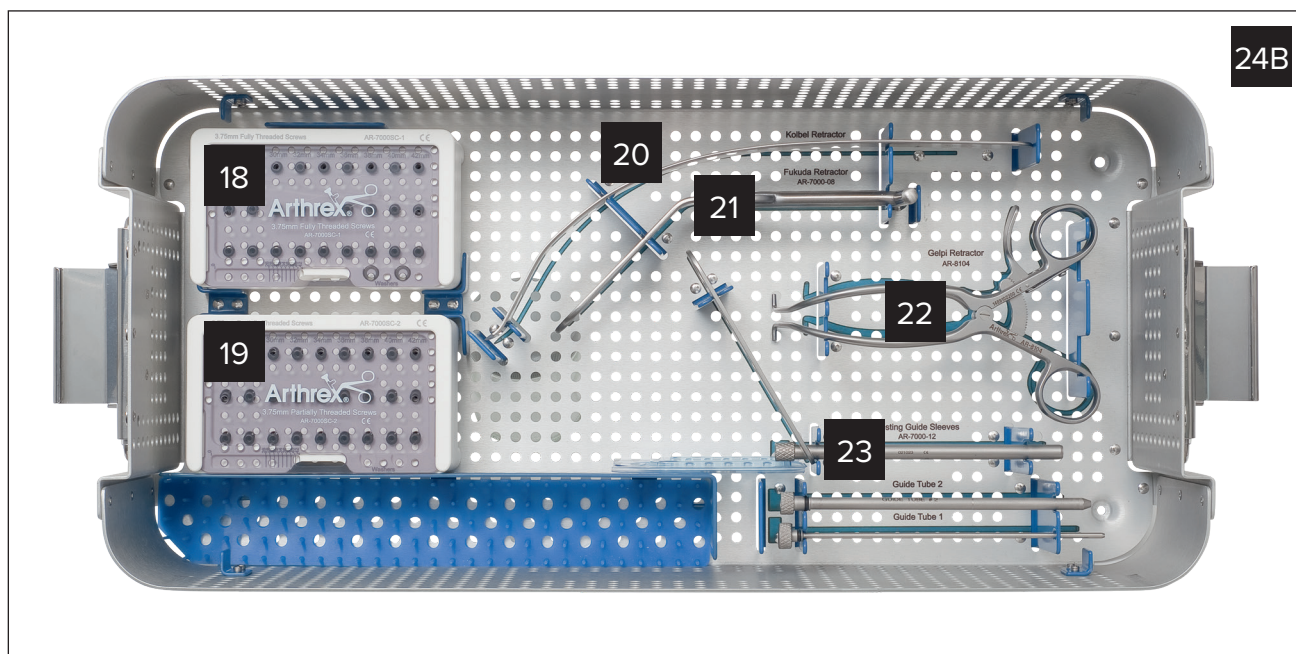
AR-7000S

24A



## Glenoid Bone Loss Set

Pic.	Item Number	Qty.	Description
1	AR-2961		Osteotome Handle
2	AR-7000-01		Osteotome Blade, Latarjet (x2)
3	AR-7000-02		Osteotome Blade Shield
4	AR-9215-1-01		Drill Guide Handle
5	AR-7000-16		"No Offset" Parallel Drill Guide
6	AR-7000-03		Parallel Drill Guide, 4 mm offset
7	AR-7000-04		Parallel Drill Guide, 6 mm offset
8	AR-7000-05		Parallel Drill Guide, 8 mm offset
9	AR-7000-07		Coracoid Drill Guide
10	AR-7000-13		Cannulated Hex Driver, 2.5 mm
11	AR-1204D		Drill, 4 mm
12	AR-7000-14		Cannulated Drill, 2.75 mm
13	AR-7000-06		Screw Length Sizer
14	AR-8941-6		0.062 in Guidewire, 6 in long (x2)
15	AR-8941-7		0.062 in Guidewire, 7 in long (x2)
16	AR-8941-12		0.062 in Guidewire, 12 in long (x2)
17	AR-13221AOC		Cannulated Driver Handle w/ AO Connection



18	AR-7000SC-1	Screw Caddy, 3.75 mm, fully threaded screw
19	AR-7000SC-2	Screw Caddy, 3.75 mm, partially threaded screw
20	AR-7000-09	Kolbel Glenoid Retractor
21	AR-7000-08	Fukuda Retractor, small
22	AR-8104	Gelpi Subscapularis Retractor
23	AR-7000-12	Nesting Guide Sleeves
24 A&B	AR-7000C	Glenoid Bone Loss Instrument Case

Date of Surgery:

Surgeon Name:

Account:

Representative Contact Information:

Set Total:

Miscellaneous Notes:

To obtain a copy of a product's directions for use (DFU), which includes sterilization instructions, please visit our website at [www.arthrex.com/edfu](http://www.arthrex.com/edfu) or contact your local representative.

**[www.arthrex.com](http://www.arthrex.com)**

© 2019 Arthrex, Inc. All rights reserved.

